



Your Best Source for LED & Halogen Lighting

LIGHTING & ACCESSORIES CATALOG 2009



WESTERN INDUSTRIAL EXCHANGE, INC. (WIXTECH)
21596 MARILLA ST. CHATSWORTH, CA 91311
TEL: 1 (800) 353-3098 FAX: 1 (818) 772-4626

SPRING 2009

Dear Customer,

WixTech is now in it's 23rd year of business. For 2009 we have added the **FULL BOAR PERFORMANCE** line of **Slip-On mufflers** for all models of Harley Davidson motorcycles at great prices to enhance our product offerings. As you will also notice, we have also added **Custom 80 Spoked & Billet Wheels**. We have expanded our custom lighting offerings as well with our new **Off-Road Plug & Play Hid Kits**. We have also added many new Headlamp parts & accessories, including our new machined aluminum **Custom LED License Plate Frames**. Thanks to our dealers we are able to offer you these great added value items for the 2009 year.



We've also just launched our new wholesale website for **Alloy & Spoke Wheels for Cars, Trucks, & Motorcycles**, shipped anywhere in the continental USA from one of 22 warehouses nationwide. Visit our new Premium Alloy Wheels & Tires website at <http://www.wixwheels.com> for a great selection of name brand billet, chrome alloy wheels for cars/trucks/suvs & custom 80 spoked wheels for motorcycles. Don't hesitate to order online or call us at 1(800) 353-3098 for questions or prices on our wheels.

Remember, WixTech sells only the highest quality USA made and imported products. You won't find an automatic telephone answering machine at WixTech. We believe in personal communication with our customers and take pride in all of our WixTech products.

Carl Stronberg, President
Lisa Stronberg, Vice President/General Manager

Look For Our Ads In These Magazines
American Iron - American Iron Retailer
American Motorcycle Dealer (AMD)
Dealer World Magazine

CONTACT CUSTOMER SERVICE

If for any reason you are not satisfied with any product, or have a question about a product you have received, call our Customer Service department at 1-(818) 772-6493 for prompt courteous handling.

Customer Service
Chuck
Phone: (818) 772-6493
Fax: (818) 772-4626



Email: customerservice@wixtech.com

Accounts Payable
Lisa
Phone: (818) 772-6493
Fax: (818) 772-4626



Email: Accountspayable@wixtech.com



UNDERBODY LIGHTING FOR CARS, TRUCKS, SUVs

FLEX-ABLE UNDERCAR KIT



#43435 FLEXIBLE UNDER CAR KIT MULTI COLOR, w/REMOTE

New Flexible Under Car Kits are completely flexible. It's even able to bend into a complete circle. Advanced LED technology makes it the brightest kit out on the market. Bar reflector technology ensures no dots on the ground. Neon Like Glow, except 23 times brighter.

STD KIT CONTAINS:: Two 4' flexible bars, Two 3' flexible bars, Master Controller, (Built in microphone). Wireless Remote, Distribution Block.

Functions: Built in Microphone, Sound Sensitivity, Sequencing Speed Control.

#43436 XL Xtra Long FLEXIBLE MULTI COLOR UNDER BODY TRUCK/SUV KIT

XL KIT CONTAINS: Two 6' flexible bars, Two 4' flexible bars, Master Controller, (Built in microphone). Wireless Remote, Distribution Block. **Functions:** Built in Microphone, Sound Sensitivity, Sequencing Speed Control.

NEON & LED UNDERBODY KITS

LED MULTI-COLOR UNDERBODY KITS w/wireless remote

FOR CARS, TRUCKS, RV'S Contains 2-36" - 2-48" tubes

3 MILLION COLOR - 56 FUNCTIONS

WixTech now has our MULTI COLOR LED Underbody kits with a full function wireless. Remote not only turns unit on-off as others do, but also changes colors & functions too!

Set Contains: (2) - 36" tubes, (2) - 48" tubes 56 programmable control functions

NEON COLORS AVAILABLE:

RED, GREEN, PINK, ORANGE, BLUE, PURPLE, WHITE, YELLOW

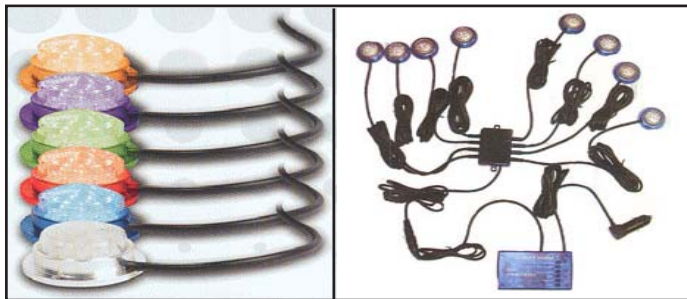
LED SINGLE COLOR KITS Contains 2-36" - 2-48" tubes

COLORS AVAILABLE: RED, GREEN, BLUE, PURPLE, WHITE, YELLOW (Also available with wireless remote control)



TANTRUM PROFESSIONAL X-TREME LED STROBE SYSTEM

New Professional LED strobe light system consists of (8) Pods. Each pod contains 15 Hyper Bright LEDs, (That's a total of 120 LEDs) making it the brightest strobe system on the market. No more unreliable ballasts or bulbs to burn out. This new strobe system draws less than 1 ampere of power. Weatherproof housing allows the LED Pods to be mounted anywhere. Machined anodized aluminum body and epoxy coated boards for good looks, long life. For the serious off-road & rock crawlers. Super White LEDs are great for illuminating suspension & terrain. Changing clearance or changing a driveline in the middle of the desert has never been so easy. Sequence/Pattern/Speed On/Off. Comes with Wireless Keychain Remote Controller. Available in White, Red, Blue, Green, Purple, Amber & Multi-Color models.



PAGE 6 PRICE LIST

TANTRUM INDIVIDUAL LED POD LAMPS

By Popular Request, we now have individual TANTRUM 15 LED Led Pods available in all colors. Perfect for use as Dome Lighting, Accent Lighting, Undercar, Underbike, Boats, Rv's, anywhere Ultra Bright low power lighting is needed. Machined anodized aluminum and epoxy coated boards for good looks, long life and weathproofing. Extra long lead wires for boat/RV applications

Specs:

Pod Base Diameter: 1-3/4"

Pod Lamp Diameter: 1-3/8"

LEDs: 15 Ultra Bright 4.5mm

Wire Length: 9.3 ft (112 in)

Colors Available: White, Red, Blue, Green, Purple, & Amber



PAGE 10 PRICE LIST

LED BULBS INDIVIDUAL (4 Packs)

Part #	Colors:	GREAT FOR ACCENT LIGHTING
43437	Blue	4 Pack single 12 volt with 36" Wire
43438	Red	4 Pack single 12 volt with 36" Wire
43439	Green	4 Pack single 12 volt with 36" Wire
43440	Purple	4 Pack single 12 volt with 36" Wire
43441	Super White	4 Pack single 12 volt with 36" Wire
43457	Yellow	4 Pack single 12 volt with 36" Wire

PAGE 10 PRICE LIST



#43389 6x6" LED FLEXIBLE TUBE LIGHTING KIT

Comes with (6) pcs 6" long fully flexible tubes. Includes a total of 72 Ultra Bright LEDs on a totally flexible circuit board in water clear tubes. Up to 64 different combinations of Functions include solid colors, scans, Pulses, sequence, Fades, at many different controllable speeds. Up to 2 million colors in fade mode. Plug-in Wires are 60" long.

Kit comes complete with 2-3/4"x2-3/4" Controller module, Mounting Hardware, Wiring, Wireless Remote keychain Controller, & installation instructions. Tubes can also be installed using silicone or plastic wire ties. Packaged in a Blister pegboard hanging display package with the COOL SPOTS Graphics label. Perfect for Motorcycles, Cars, Rv's, etc.

LIST PRICE 189.95

ALSO AVAILABLE IN 4X8" KITS

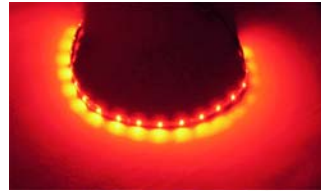
PAGE 7 OF PRICE LIST



SUPER FLEXIBLE SHOW CYCLE LED STRIP LIGHTING

These thinline Super Bright Led Flex strips are easy to apply with 3M sticky back tape. Dimensions are are 6" & 12"L X3/8"W X 1/8" thick. 12 VDC draws only 30/60 milliamps per strip. Come packed 2 strips per blister package. Can be used with our wireless remote control #43323 On-Off function only. Switches not included. Colors available are:

#44046	BLUE	6"	#44052	BLUE	12"
#44047	GREEN	6"	#44054	GREEN	12"
#44051	WHITE	6"	#44053	RED	12"
#44045	RED	6"	#44055	WHITE	12"
#44057	AMBER	6"			



2x6" STRIPS
LIST PRICE
34.95 PR



2x12" STRIPS
LIST PRICE
54.95 PR

LED MULTI-COLOR ADD-ON FLEXI-TUBES

You can purchase Flexible Add-on tubes seperately in pairs for your 4x8" kit. These Flexible tubes come with 60" wire & compatible plugs to slip right into your 4x8" kit. You can add either 6" or 8" tubes and can mix and match lengths. Packaged in Pairs on graphics blister card. (Cannot be used on 6x6" set.)



Suggested Retail:
2x6" Pr.....27.95
2x8" Pr.....34.95

LED OVAL POD ACCESSORY LAMPS

These all new Ultra Bright LED Lamps uses are unlimited. Use as Red and Amber auxilliary third brake lamps, side marker lamps, turn signals etc. Many other great colors to choose from for custom accent lighting on Motorcycles, Autos, Hot Rods etc. Light up your ride with these awesome lamps. Low power draw.

Attach easily with included screws or 3m double face tape. Simple 2 wire installation. 12 volts. **Packaged and Sold in Pairs.** Graphics carded for retail. **COLORS AVAILABLE:** Red, Amber, Blue, Purple Green, White.



LED SINGLE COLOR LIGHT TUBES

These Water Clear Polycarbonate single color Ultra Bright LED Light tubes come in 2 sizes: 2x6" and 2x9" (Not Flexible). Included in packaging is all wiring, Heavy Duty on-off toggle switch and cigarette lighter plug with switch. Also includes 3M double face tape and screws for mounting.

Packaged in pairs on graphics blister card. LED colors available: Blue, Green, Purple, Red, White and Yellow. **Suggested Retail:** 2x6" Pair.....24.95



LED STEP ACCESSORY LAMPS

These new lamps feature flat styling either in chrome or black housings. 3 Ultra Bright 45 degree angle mounted LEDs spread illumination over wider area for neon look. Easy to hide. Many colors to choose from. Red and Amber lamps can be used as side mounted auxilliary Third Brake, Turn Signal or Marker Lamps. White for license plate illumination. Other colors mount easily under fenders, fairings, tank etc. Also great for mounting under cars, fenders hoods, dashes, consoles, upholstery, etc. Attaches easily with included screws or 3m double face tape. Simple 2 wire installation. Low current draw. 12 volts. **Packaged and sold in pairs.** Graphics carded for retail. **COLORS AVAILABLE:** Red, Amber, Blue, Purple Green, White, Orange, Jade, Teal, Magenta.





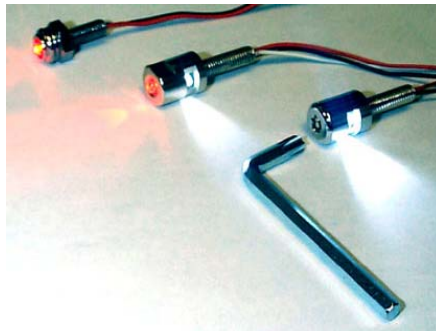
**LED License plate/Accent ILLUMINATOR BOLT LAMPS
90 Degree OFFSET Twin Combination & Single LED**

Available in 3 Custom Configurations. White/Red - White/Amber - White Only

EXCLUSIVE FROM WIXTECH!

**LED
LICENSE PLATE
ILLUMINATORS**

Triple Chrome Plated, Mf'd From CNC Machined Brass, Single or Twin beam, Anti Theft Star Key Wrench Included on Single LED White 90 Degree Lamp



Our brand new, TWIN BEAM LICENSE PLATE ILLUMINATOR is perfect for combination License Plate, Rear Lamp & Accent Illumination. Features 90 degree offset Ultra Bright WHITE LEDs for License Plate illumination, and additional built-in rear facing Red/Amber LEDs. Rear facing LEDs can be connected to Running Lights, Turn Signal or Brake Lamp circuit for additional rear lighting. (Each LED may be wired independently. May be wired for just license plate illumination or for rear illumination only, if desired). Can also be used for accent/step lighting.

License Plate Light Illuminators can be rotated 360 degrees to direct and aim beam angle. Our 90 degree offset, Single LED White License Plate Lamp features our exclusive Anti-Theft Star Key Wrench. 1/4-20 Thread.

12v Power consumption: 40 milliamps. Simple 2-3 wire hookup. Available with Single White, Red & White or Amber & White LEDs. Packed 2 pcs per color graphics blister Card.

**WIXTECH LED MACHINED ALUMINUM
LICENSE PLATE FRAMES**

WixTech fully machined aluminum LED license plate frames come in either Black or Chrome plating. High brightness white LEDs highlight plate with your choice of either top or side mounted Leds. Highest quality. Comes with chrome or black backing plates to smooth out the look & hide rear of plate. Bolts/Nuts/Washers included.



Chrome Frame TOP LED Lighting View



Chrome Frame SIDE LED Lighting View

LED LICENSE PLATE LAMPS

All machined, license plate lamps. Drilled & tapped back. can be bolted to existing license plate frames. Available in 3-1/2" & 6-1/2" lengths. Each lamp has 6 Super Bright White LEDs. Your choice of Black or Chrome finish. Mounting screws in cluded.



Black Frame TOP LED Lighting View

List Price 49.95



Black Frame SIDE LED Lighting View



List Price 24.95

WixTech

Specialty Lighting & Accessories

LIFETIME WARRANTY **Extreme White - longlife - Xenon**

LONGLIFE MOTORCYCLE HEADLAMP BULBS



#44030 #H4

- EXTEND VISUAL RANGE AT NIGHT UP TO 30%
- HIGH QUALITY USA TUNGSTEN FILAMENT, CORNING OPTICAL GLASS
- PERFECT FOR MOTORCYCLE & HI-PERFORMANCE APPLICATIONS
- LIMITED LIFETIME WARRANTY*
- COMPETITIVE PRICING
- SAME QUALITY AS THOSE HIGH PRICED BULBS
- EXTREME WHITE 4200K
- GREAT PACKAGING - INDIVIDUAL PLASTIC CLAMSHELL CASES
- ATTRACTIVE SUPER SPOTS GRAPHICS LABEL

RETAIL PRICE
29.95



#44031 #H7

LONGLIFE SPOTLAMP BULBS

- FITS HARLEY DAVIDSON '05-1/2 UP SPOTLAMPS
- EXTEND VISUAL RANGE
- FITS ANY OTHER #881 APPLICATION
- LIMITED LIFETIME WARRANTY*
- EXTREME WHITE 4200K - PERFECT MATCH FOR H4/H7 BULB
- 12 VOLT 27 WATTS
- GREAT PACKAGING - INDIVIDUAL PLASTIC CLAMSHELL CASES
- ATTRACTIVE SUPER SPOTS GRAPHICS LABEL

RETAIL PRICE
39.95 Pr



#44056 #881

Note: Always replace in pairs

WIXTECH WARRANTY INFORMATION

SUPER SPOTS LONGLIFE EXTREME XENON LIMITED LIFETIME WARRANTY. Bulbs are warranted against defects to the original purchaser for the as long as he owns the vehicle. If the bulb fails within the first 6 months it will be replaced free of charge over the counter by the selling dealer. If the bulb fails after the first 6 months, all warranty defect claims must be returned to Wixtech by the retail purchaser, along with \$8.95 shipping & Handling charge and a copy of purchase receipt from selling dealer. Warranty does not cover failure due to abuse, misuse, faulty installation, or high performance motorcycle applications producing excessive vibration. Warranty does not apply to use in business or rental vehicle applications.

Dealers should refer customer directly to our customer service dept for warranty replacements whenever possible. Retail customer must provide copy of original sales receipt for warranty replacments. Warranty is limited to replacement of product only. All warranty returns must be returned prepaid freight and must have a return authorization. Any return shipment received without authorization will be refused.

SUPER SPOTS, Extreme Xenon ANTI-VIBRATION bulbs are warranted against defects for One year from date of retail purchase. (Proof of purchase or installation by shop required) Wear, tear, breakage, faulty installation, water damage are not covered.

All other SUPER SPOTS branded, Xenon and Halogen Lighting products are warranted against defects to original retail purchaser for 90 days from date of purchase (Proof of purchase or installation by shop required) Wear, tear, breakage, faulty installation, water damage are not covered.

NEON PRODUCTS are not warranted beyond initial sale or installation by dealer. If dealer receives defective Neon product, please contact us immediately

COOL SPOTS, LED PRODUCTS are warranted against defects to original retail purchaser for 3 years, (Proof of purchase or installation by shop required). Wear, tear, breakage, faulty installation, water damage are not covered.



AVAILABLE SIZES:
H4 -60/80W - PART #43072
H7 -70W - PART #43073

RETAIL PRICE
34.95

NEW FOR 2009

PLATINUM WHITE 5000K

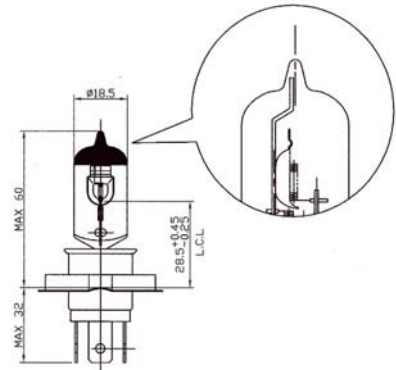
MOTORCYCLE HEADLAMP BULBS

With New **Anti-Vibration Technology**



SUPER SPOTS ANTI-VIBRATION BULB has extended filament support post captured in top of glass capsule, which provides extra filament support. The filament is no longer dangling unsupported for vibration to take its toll. This extra support helps to prevent filament from breaking due to vibration. (see diagram)

SUPER SPOTS ANTI-VIBRATION BULB has extra large diameter glass capsule. This allows extra room for more Xenon/Krypton gas, which means it burns cooler and allows for higher wattages safely. Combine this with our new anti-vibration technology & you have one of the most advanced and innovative new headlamp bulbs on the market.



SUPER SPOTS PLATINUM WHITE ANTI-VIBRATION 5000K BULBS are guaranteed to be one of the Brightest, Safest, Long Life upgrade bulbs you can buy.

SUPER SPOTS PLATINUM WHITE ANTI-VIBRATION 5000K BULBS LOOK COOL TOO! New 5000K color temperature produces a BRILLIANT PURPLE/WHITE LIGHT similar to those HID lights you see on much more expensive vehicles.

SUPER SPOTS ANTI-VIBRATION TECHNOLOGY BULBS are especially designed for motorcycles where high vibration, long life and high visibility can be a problem with ordinary bulbs. We built the solution all into one bulb!

SAFER TOO! They will see you coming! 60/80 WATT EXTREMELY BRIGHT LIGHT enhances daytime visibility as well as extends night time visibility as much as 60%.



PLATINUM WHITE 5000K

- DESIGNED ESPECIALLY FOR MOTORCYCLE APPLICATIONS
- PLATINUM WHITE 5000k SUPERIOR DAYTIME HI VISIBILITY
- EXTENDS VISUAL RANGE AT NIGHT UP TO 60%
- HIGH QUALITY USA TUNGSTEN FILAMENT, CORNING OPTICAL GLASS
- PROVEN SAFE FOR ELECTRICAL SYSTEMS
- LONG LIFE - COMPETITIVE PRICING
- SAME QUALITY AS THOSE HIGH PRICED BULBS
- ONE YEAR WARRANTY AGAINST DEFECTS*

*FOR WARRANTY INFORMATION SEE PAGE 7



HALOGEN & XENON LIGHTING

"SUPER SPOTS" XENON TWIN PACKS AUTOMOTIVE HEADLAMP BULBS

HID STYLE XENON BOOST headlamp replacement bulbs available in XTWhite and XTBlue. 30% brighter than stock bulbs. Available in factory recommended wattages. Safe for electrical systems Available in H3, H4, H9, H10, H11, H12, H13 9004, 9005, 9005XS, 9006, 9006XS 9007, 880, 881, 893, 894

XENON HID Style Headlamp bulbs also available in Hi-Intensity, Hi-Wattage bulbs SEE PAGE 5 OF PRICE LIST

RETAIL PRICE 29.95-39.95

SEE PAGE 4 OF PRICE LIST



SUPER WHITE MOTORCYCLE/ATV XENON HEADLAMP BULBS

Our stock 60-55 watt Super White Xenon bulbs with stock OEM recommended wattages. Super White color temperature 4000k . Up to 30% brighter than stock bulbs. Xenon boost burns brighter at factory recommended wattages without the heat problems of higher wattage bulbs. Available in a variety of colors: Super White, Super Blue, Super Green, Hyper Yellow and Aztec Gold. Packaged single carded for motorcycle and ATV applications. Sizes Available: H1, H3, H4, H6M, H7- 90 day warranty

RETAIL PRICE 19.95



MIRROR WHITE HID STYLE HEADLAMP KIT

4500k XENON 90-100 Watt H4 Lamp Kit Includes Ceramic headlamp adapter plug for higher output bulbs.

Simply splice adapter into existing headlamp wiring for added heat protection & replace included H4 bulb for 40-60% higher light output over stock. (Do not use in plastic modules due to higher heat output)

90 day warranty
RETAIL PRICE \$39

TWIN-PLASMA "SUPER SPOTS" XENON BOOST HID STYLE

available in H4 style only.

H4 SUPER Blue On low Beam and SUPER White on High Beam

H4 SUPER Gold On low Beam and SUPER White on High Beam. Packed 1 piece per graphic blister card. 90 day warranty

RETAIL PRICE 19.95



NEW! "CHROME" DIADEM BAYONET BASE BULBS

Silver Chrome finish makes these bulbs great for use with clear or colored lenses. Available in Red or Amber Light, 1156-1157 styles. Packed 1 piece per graphics blister card.

We stock all sizes of HALOGEN wedge base and bayonet base bulbs

RETAIL PRICE EACH 9.95

SEE PAGE 3 OF PRICE LIST



New! H6M SUPER WHITE BULB for ATV's

Extreme White 35/35 watt permits added visibility in unlighted areas. 30% more light with Fits many ATV's Snowmobiles, Offroad Motorcycles. Carded 1 Pc per blister Card for retail sales.

RETAIL PRICE 16.95



HI-PERFORMANCE SUPER BRIGHT HALOGEN BULB

1157 10W/55W

Quality tested in the field. Safe for 12v electrical systems when used as directed. Extra bright 10 watt tail/running light, 55 watt dazzling brake light. Ideal for autos, motorcycles, ATVs Rvs etc. Up to 5 times brighter than standard incandescent bulb. Packed 1 pc per blister card for retail sales.

RETAIL PRICE 9.95



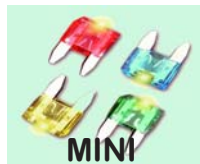


NEW! WIXTECH LED ELECTRONIC LIGHTED FUSES

Ever tried to find a blown fuse in the dark, under a dash, or any other awkward place? WixTech has the answer. Our brand new LED ELECTRONIC FUSE assortment solves this problem. We've incorporated our LED technology into a standard blade style fuse & come up with a winner. Tiny LEDs imbedded into the fuse circuit light up when fuse blows, making finding blown fuses a snap. Carded assortment comes in two sizes and each size has 7 assorted fuses. Contains the following sizes:

#43066 7pc Mini Fuse = 1 ea - 5A, 7.5A, 10A, 15A, 20A, 25A, 30A:

#43067 7 pc Maxi Fuse = 1 ea - 5A, 7.5A, 10A, 15A, 20A, 25A, 30A.



STANDARD AUTO & MOTORCYCLE FUSES

These are the most popular spade type fuses used on modern vehicles. Your choice of medium or mini fuse kits. Contains assorted OEM fuses from 5 amp to 30 amp. A must for every vehicle or motorcycle. The medium kit fits many Pre1997 cars and trucks. The Mini kit fits most modern motorcycles, snowmobiles, ATV's, and many automobiles 1997 and up. 15 Pcs Asst Carded Mini or Maxi



RED BULL HEAVY DUTY MOTORCYCLE TIE DOWN STRAPS

ONE INCH (1") X 15 FOOT *RATCHET TYPE* TIE DOWN STRAPS

- 2000 LB BREAK STRENGTH EXTRA HEAVY DUTY NYLON POLYESTER WEBBING
- 1500 LB RATED CAPACITY,
- 500 LB WORKING CAPACITY
- 5/16 HEAVY DUTY STEEL "S" HOOKS WITH CUSHION COATING.
- GREAT PACKAGING
- POPULAR PRICING

ONE INCH (1") X 8 FOOT *CAM BUCKLE* TIE DOWN STRAPS

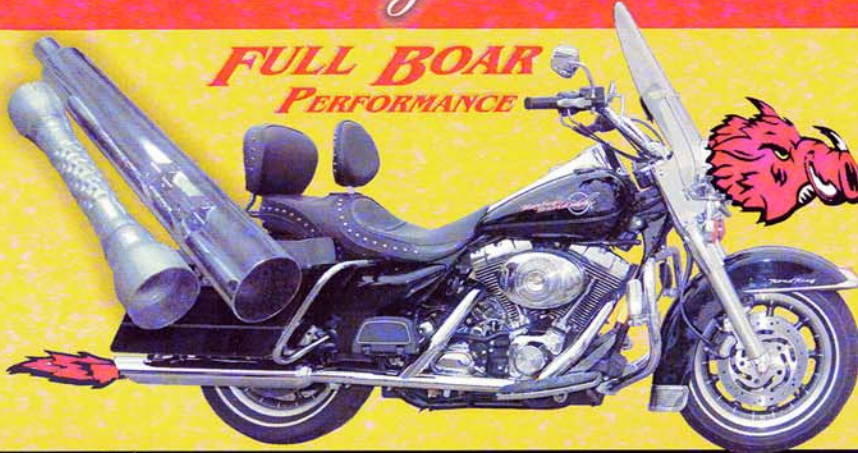
- TWO EXTRA FEET OF LENGTH
- SUPER DUTY LARGE HARDENED STEEL CAM BUCKLE
- 2000 LB BREAK STRENGTH HEAVY DUTY NYLON POLYESTER WEBBING
- 1500 LB RATED CAPACITY
- 400 LB WORKING CAPACITY
- POPULAR PRICING



Introducing . . .

Slip-On
Mufflers For

FULL BOAR
PERFORMANCE



**Harley Davidson®
Softail®, Touring®
& Dyna Glide®
Motorcycles**



Angle Cut Fits All Touring Models 1995 - 2008

Touring® Model

- JAC31230MC **Slash Up,**
- JAC31230MCRV **Down, Out**
- JAC31230MC-134
- JAC31230MCRV-134
- JAC31230MC-200
- JAC31230MCRV-200
- JAC31230MC-250
- JAC31230MCRV-250

BAFFLE SIZES:
1 3/4", 2"
& 2 1/2"



Straight Cut

Fits All Touring Models 1995 - 2008

Touring® Model

BAFFLE SIZES:
1 3/4", 2"
and 2 1/2"

- JPT31228MC
- JPT31230MC
- JPT31228MC-134
- JPT31230MC-134
- JPT31228MC-200
- JPT31230MC-200
- JPT31228MC-250
- JPT31230MC-250



BAFFLES-MCB134, MCB200, MCB250

Softail® Model

Fits Softail Models 2007 & 2008

- Heritage-FLSTC
- Custom-FXSTC
- Night Train-FXSTB
- SoftailStandard-FXST
- Rocker C-FXCWC
- Rocker-FXCW

JAC322MC

*2" SoftTail® Baffle Included



Dyna-Glide® Model

- Fits 1995-2008 Models:
- Super Glide-FXD
 - 35th Anniversary-FXD135
 - Wide Glide-FXDWG
 - Street Bob-FXDB
 - SuperGlide-FXDC
 - Screamin' Eagle-FXDSE
 - Dyna Lowrider-FXDL

JAC320MCDG

*2" Dyna-Glide® Baffle
Included



All slip-on mufflers come complete with mounting hardware for factory mounting locations. Muffler clamp not included.

The mufflers and components offered may not meet EPA emissions and noise guidelines and may be restricted to off-road only. Discoloration and/or bluing are not covered by manufacturers warranty. Bluing may be caused by tuning characteristics, over-heating, cam timing, carburetor jetting, etc. and is not a manufacturing defect.

The name, Harley-Davidson®, and all models of motorcycles associated with the Harley Davidson® name are trademarks of Harley-Davidson®, and are utilized within this flyer and/or catalog.

FULL BOAR MOTORCYCLE SLIP-ON MUFFLERS ARE NOW IN STOCK FOR ALL MODELS OF HARLEY DAVIDSON. SEE PRICE SHEET FOR COST, SPECS & APPLICATION. MADE IN USA



7" ROUND DOT APPROVED HID MOTORCYCLE HEADLIGHT SYSTEM

Finally, a reasonably priced, street legal HID upgrade system. A direct replacement for sealed beam units. Includes Diamond Cut Reflector module, Motorized Hi/Lo Beam SAE-DOT APPROVED Includes Hella OEM Ballast 35W Phillips Bulb, X-treme White 4350K. Perfect for motorcycles & other vehicles with 7" headlamps.

PART #43428

SEE PAGE 5 OF PRICE LIST

DOT MOTOR CYCLE HID RETRO FIT	
Part #	HID-7RD
Description	7" Round Hi-Low Bi-Xenon DOT HID Motor Cycle Head Light Replacement. Includes relay Harness and Phillips Ballast.
	
Replaces	H6017/ H6024

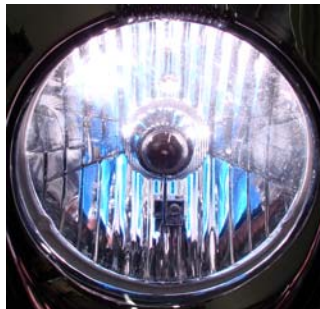
WE HAVE MANY OTHER HID KITS IN STOCK - CALL US AT 1(800) 353-3098 FOR ALL YOUR HID NEEDS

DIAMOND CUT SEALED BEAM REPLACEMENT LAMP MODULES

Crystal Clear drop-in replacement modules for sealed beam units. Advanced multi faceted, Die Cast Aluminum Reflector dissipates heat for longer bulb life. Produces 45% more light then standard sealed beams. Uses H4 replaceable bulbs (Not Included). The perfect module for our Super Spots Xenon Boost headlamp bulbs. No blistering or peeling. DOT/SAE/ECE approved.

Available in:

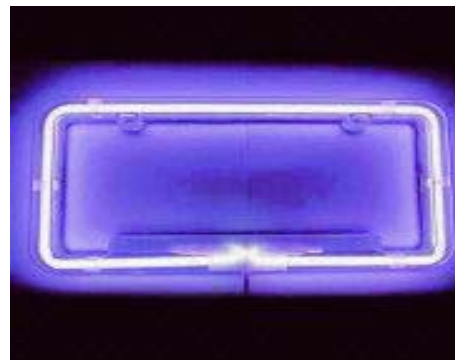
- Part #43424 5.75" Round Replaces H5001/H5006
- Part #43425 7" Round Replaces 6017/H6024
- Part #43426 5"x7" Replaces H6054
- Part #43427 4"x6" Replaces H4651/H4656



PAGE 5 OF PRICE LIST

NEON GLOW LICENSE PLATE FRAMES FOR CARS

Add some color to the front or back of your vehicle. They are colorful Neon Frames are waterproof, have built-in transformer and easy 2 wire hook-up. Can be connected to your brake light for added safety. All installation hardware included. Available in twin color Blue/Pink, Color Glow Blue, Purple, Green, or Red





ULTRA "COOL SPOTS" *Patent Pending

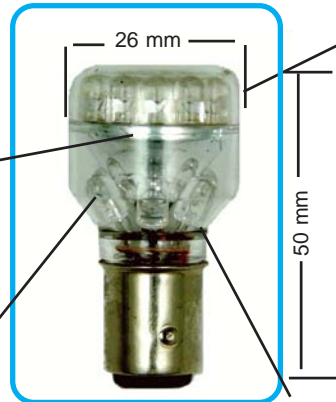
**NEW IMPROVED DESIGN
Dual Circuit LED Brake/Taillight Bulbs**

In our new wide angle, dual circuit operation, the central array is lit full brightness all the time for normal running lamp operation. In addition, the outer 12 LED array lights up full brightness when brake is applied. This not only results in brighter running lamp mode, but a much more dramatic, highly visible, differential between running and brake lamp modes. This creates a safer, more eye catching difference in lamp function.

Many competitors bulbs use resistors which dims the running light and brightens up for brake light function, which can result in the running light not being bright enough.

NEW CHROME PLATED BUILT-IN 45 DEGREE REFLECTOR MIRROR FOR BOTH SIDE AND REAR LIGHT DISBURSEMENT

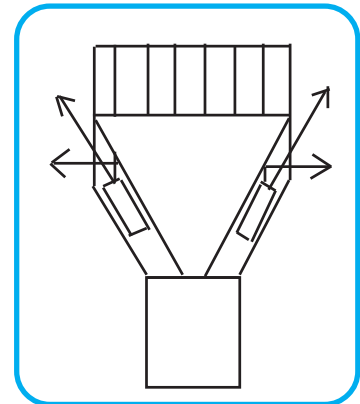
45 DEGREE ANGLED LEDS FOR MORE SIDE FACING ILLUMINATION IN RUNNING LAMP MODE



EXTENDED NECK DESIGN 1156/1157 FOR USE IN "HARLEY DEUCE" AND SOME AFTERMARKET DEUCE STYLE BULLET LIGHTS.

Water Clear ABS Weatherproof Housing

(25) Total Ultra Bright LEDs



ALSO TRY OUR NEW STYLE 3156/3157-25 LED "ULTRA SPOTS"
Available in 3 color styles:

Available in Red, Red/White, Amber

- The BRAKE/TAIL/TURN function is the same on all 3 styles of our new Dual Circuit bulbs.
1. 3157 RED/WHITE, with white license plate illumination for '03-1/2 Up HD
 2. 3156-3157 All RED for Brake, Tail, Turn for many new Car applications
 3. 3156-3157 All AMBER color for many new car Running and Turn signal applications

Dual Circuit 37 LED Right Angle Mount Bulbs

In our new 1157 - 37 LED Right Angle bulb incorporates dual circuit operation meaning the central array of 19 Ultra Bright LEDs is lit at full brightness all the time for normal running lamp operation. In addition, the outer 18 LED array lights up full brightness when brake or turn signal is applied giving you a total of 37 Ultra Bright LEDs for high visibility braking and turning. This not only results in brighter running lamp mode, but a much more dramatic, differential between running and brake lamp modes. This creates a brighter, safer, more eye catching difference in lamp function

Many competitors bulbs use resistors which actually dim the running light and brighten up for brake light function, which can result in the running light not being bright enough or making it difficult to distinguish between modes. Our new 1157 Dual Circuit bulb functions much more like a conventional incandescent bulb without the current drain.

PART#	DESCRIPTION
#43280	1157ADC-RT ULTRA AMBER LED RIGHT ANGLE BULB
#43281	1157RDC-RT ULTRA RED LED RIGHT ANGLE BULB
#43282	1156A-RT ULTRA LED AMBER RIGHT ANGLE BULB
#43283	1156R-RT ULTRA LED RED RIGHT ANGLE BULB



SEE PAGE 2 OF PRICE LIST



“COOL SPOTS”

HARLEY DAVIDSON LED BULB UPGRADE KIT

EACH KIT IS BUILT TO THE SPECIFIC MODEL OF MOTORCYCLE

Each Kit Contains:

- (2) Front Ultra LED 1157 Amber Running/Turn Signal Bulbs
(Straight 25 LED or Right Angle Mount 37 LED)
- (2) Rear Ultra LED 1156 Amber or Red Turn Signal Bulbs
(Straight 25 LED or Right Angle Mount 37 LED)
- (1) 1157 or 3157 Red/White 25 Ultra LED Brake/Tail Lamp Bulb with White License Plate Illumination
- (1) We partnered with **Biketronics** to use their **Plug Compatible Electronic Smart Equalizer** that works flawlessly with our **COOL SPOTS** LED Upgrade bulbs
- (1) Simple Installation Instructions. Just plug in the Smart Equalizer under the seat, change the bulbs, your done.
 - *No cutting/splicing wires.
 - *Smart Equalizer Plugs are compatible with factory OEM plugs
 - *3 year limited warranty



FITMENT CHART

- '96-Y2K Softail,
- '97-Y2K Dyna,
- '99-03 Sportster
- **43286**-11802C1800A AMBER rear bulbs
- **43287**-11802C1800R RED rear bulbs

- '97-Y2K Touring
- **43288**-11802C0900A AMBER rear bulbs
- **43289**-11802C0900R RED rear bulbs

- '01-03 Softail (Except w/Tombstone), Dyna
- **43290**-11801C1800A AMBER rear bulbs
- **43291**-11801C1800R RED rear bulbs

- '01-03 Softail w/Tombstone
- **43311**-11801C1800TA AMBER rear bulbs
- **43310**-11801C1800TR RED rear bulbs

- **All Softail “Deuce”**
- **43286**-11801C1800A AMBER rear bulbs
- **43287**-11801C1800R RED rear bulbs



- '01 - '03-1/2 Touring
- **43292**-11801C0900A AMBER rear bulbs
- **43300**-11801C0900R RED rear bulbs
- V-Rod All
- **43294**-11801V1800A AMBER rear bulbs
- **43295**-11801V1800R RED rear bulbs
- '03-1/2 Later Touring
- **43296**-11801C0900A AMBER rear bulbs
- **43297**-11801C0900R RED rear bulbs
- '03-1/2 Later Softail, Dyna
- '04 Later Road Glide, Road King Custom
- **43298**-11801C1800A AMBER rear bulbs
- **43299**-11801C1800R RED rear bulbs
- '04 Later Sportster
- **43320**-11801X1800A AMBER Rear Bulbs
- **43321**-11801X1800R RED Rear Bulbs

* Warranty is limited to replacement of the defective part. Warranty excludes wear, tear, and abuse. All warranty claims must be returned postpaid. A shipping & handling charge may apply on owner warranty claims.

New redesigned style 1157 has extended neck to fit newer HD “Deuce” Style lamps.

SEE PAGE 2 OF PRICE LIST

WixTech

Specialty Lighting & Accessories

Western Industrial Exchange, Inc.
21596 Marilla St, Chatsworth, Ca 91311
4626

Website: <http://www.wixtech.com>

Tel: (818) 772-6493

FAX (818) 772-

NEW! NOW AVAILABLE FOR IMMEDIATE SHIPPING

Chrome 80-Spoke Wheel Assemblies For Stock Harley-Davidson® Twin Cam 88® Applications

- 80-Spoke design with 6/8 gauge round spokes and custom nipples
- Chromed steel rims
- Chrome, forged billet hubs with diamond facets
- 3/4" or 1" sealed wheel bearings with center spacers pre-installed
- Front wheels available in single and dual disc versions
- Includes a rim strip for tube-type applications only

THESE TOP SELLING 80 SPOKE TRIPLE CHROME PLATED WHEELS ARE GUARANTEED TO BE TOP QUALITY WITH 100% SATISFACTION GUARANTEE.

CALL 1-800-353-3098 FOR OUR AMAZINGLY LOW WHOLESALE PRICES!



Chrome 80-Spoke Wheel Assemblies For Custom Wide Tire Applications

- 80-spoke design with 6/8 gauge round or twisted spokes and custom nipples
- Chromed steel rims
- Chrome billet hubs with diamond facets
- Chrome valve stems
- Each wheel includes 3/4" and 1" sealed wheel bearings and center spacers so you can custom tailor your wheel to your frame
- Silicone sealed spoke wells for tubeless tires
- Front wheels available in single and dual disc
- Rear wheels wider than 5.50" have three bearings (two on the drive side for extra support)
- Wheels require the use of 2000-up brake rotors and pulleys

SEE NEXT PAGE FOR FITMENT



Chrome 80 Spoke for Stock Harley-Davidson® Twin Cam 88® Applications

- 80-Spoke design with 6/8 gauge round spokes and custom nipples
- Chromed steel rims
- Chrome, forged billet hubs with diamond facets
- 3/4" or 1" sealed wheel bearings with center spacers pre-installed
- Front wheels available in single and dual disc versions
- Includes a rim strip for tube-type applications only

Front Wheels

- 94019-06-180 16" x 3.50" dual disc for all '00-'07 Touring model (1" axle)
- 94020-06-182 18" x 3.50" dual disc for all '00-'07 Touring model (1" axle)
- 94021-06-184 16" x 3.50" single disc for '00-'07 FL Softail (except Springer)
- 94022-06-186 18" x 3.50" single disc for '00-'07 FL Softail (except Springer)
- 94023-06-188 21" x 2.25" single disc for '00-'07 FX Softail and Dyna Wide Glide (except Springer model and '06-Up Dyna Wide Glide)

Rear Wheels

- 94024-06-181 1 16" x 3.50" for all '02-'07 Touring model and '05-'07 Sportster model (1" axle)
- 94025-06-183 18" x 3.50" for all '02-'07 Touring model and '05-'07 Sportster model (1" axle)
- 94026-06-185 16" x 3.50" for all '00-'01 Touring model, '00-'04 Sportster, '00-'05 Dyna and 00-'02 Softail (except Deuce and FLSTS)
- 94027-06-187 18" x 3.50" for all '00-'01 Touring model, '00-'04 Sportster, '00-'05 Dyna and 00-'02 Softail (except Deuce and FLSTS)
- 94028-06-189 16" x 3.50" for all '03-'07 Softail (except Deuce and '06-Up model with 17" x 6" cast wheel)
- 94029-06-190 18" x 3.50" for all '03-'07 Softail (except Deuce and '06-Up model with 17" x 6" cast wheel)

Chrome 80-Spoke Assemblies For Custom Wide Tire Applications

- 80-spoke design with 6/8 gauge round or twisted spokes and custom nipples
- Chromed steel rims
- Chrome billet hubs with diamond facets
- Chrome valve stems
- Each wheel includes 3/4" and 1" sealed wheel bearings and center spacers so you can custom tailor your wheel to your frame
- Silicone sealed spoke wells for tubeless tires
- Front wheels available in single and dual disc
- Rear wheels wider than 5.50" have three bearings (two on the drive side for extra support)
- Wheels require the use of 2000-up brake rotors and pulleys

Front Wheels

<u>Round Spoke</u>	<u>Twisted Spoke</u>	<u>Size</u>
94007-06-105	94008-06-104	21" x 3.50" single disc
94009-06-107	94010-06-106	21" x 3.50" dual disc

Rear Wheels

<u>Round Spoke</u>	<u>Twisted Spoke</u>	<u>Size</u>
94011-06-172	94012-06-173	18" x 10.50"
<u>Round Spoke</u>	<u>Twisted Spoke</u>	<u>Size</u>
94013-06-160	94014-06-161	18" x 8.50"
<u>Round Spoke</u>	<u>Twisted Spoke</u>	<u>Size</u>
94015-06-170	94016-06-171	18" x 5.75"

CALL FOR PRICES!

WixTech

"COOL SPOTS" LED PROJECTOR LAMPS

Super Bright colored LEDs with adjustable swivel base can mounted and pointed in any direction. Attractive streamlined, chrome plated housing enhances any interior. Small size makes them easy to conceal. Both Adhesive back and mouning screws included Ideal for interior accent and highlighting.



SEE PAGE 8 OF PRICE LIST

FAZR HEADLAMP STROBE KITS

Comes in single lamp for Bikes and cars. Requires composite headlamp module. To install drill 7/16" hole in module for each strobe used. Instructions and mounting hardware included.



SEE PAGE 6 OF PRICE LIST

NEON CD GLOW TRIM LIGHT

For installation around you CD audio player. shimmering neon light dances to your stereo music. Adjustable sound sensitivity. Simple 12v cigarette lighter plug-in. Available in blue only.



LED THIRD BRAKE LIGHT MODULES

We stock 6 different sizes of LED 3rd Brake Strip lights. Each Lamp is populated with "COOL SPOTS", Ultra Bright, Red Leds for high visibility. Sizes: 6"x24 LEDs, 9"x32, 11"x40, 14"x48, 15"x56, 16"x60. Single function. 12v



SEE PAGE 7 OF PRICE LIST

NEON CURVED DASH GLOW

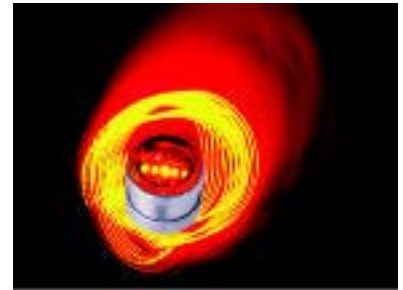
Thin curved 7" long x1/8" colored Neon Tube. Pulses to the music. Adjustable sound sensitivity control. Attaches easily to dash with included double face tape. Available in Blue and Pink



SEE PAGE 8 OF PRICE LIST

"COOL SPOTS" BILLET LED VALVE STEM LAMPS

Multi color style
Flashes with up to 5 different colors.
Blue model pulses 4 times a second.
Only operates while wheels are in motion. Built in light sensor detects darkness and prevents light from operating in daylight. Great for offroad on ATVs.



SEE PAGE 6 OF PRICE LIST

5 COLOR STROBE LIGHT KIT

This universal kit can be mounted anywhere in or under your car. Comes with 5 different color bulb sleeves to change colors. Rubber insulating grommets allow installation in your composite headlamps by drilling 1/2" holes. Includes adjustable strobe speed controller.



SEE PAGE 6 OF PRICE LIST

CHROME PLATED ACCESSORY LAMPS

Economical. Use outside as fender marker/turn signal lamps or great for colored dress-up/accent lamps. Also great for engine compartment, trunk lighting, Weather-proof. Adhesive back with rubber grommet base mounts anywhere. Available in Red, Amber, Blue, Green, Purple and White. Packed in pairs. Blister Carded



SEE PAGE 9 OF PRICE LIST

LED KEYCHAIN LIGHTS W/DISPLAY



SEE PAGE 9 OF PRICE LIST

AVAILABLE IN COUNTER DISPLAY PACK OR INDIVIDUALLY CARDED. LIFETIME GUARANTEED LEDS. LONG LASTING BATTERIES. GREAT IMPULSE COUNTER ITEM.

CARBINER STYLE LED KEY RING LIGHTS

MADE ENTIRELY OF LIGHTWEIGHT ALUMINUM ALLOY. HOOKS ONTO BACK PACKS, KEYCHAINS, BELTS, PURSE STRAPS AND MORE. LOOKS LIKE A MOUNTAIN CLIMBERS ROPE HOOP, EXCEPT HAS A LIGHT ON THE END. UNITS COME IN ASSORTED COLORS: SILVER, GREEN, BLUE, AND RED ANODIZED ALUMINUM FINISH.



AVAILABLE WITH AND WITHOUT A BUILT IN COMPASS.
 *INDIVIDUALLY CARDED FOR PEGBOARD OR DISPLAY.
 *BULK PACKED IN A COUNTER TOP IN CLEAR PLASTIC BUCKET

SEE PAGE 9 OF PRICE LIST

ULTRA BRIGHT LED MECHANICS FLASHLIGHT

The perfect mechanics flashlight. Long battery life combined with just the right size, & 9 Ultra Bright White LEDs makes this the ultimate pocket flashlight.

Also great for car, home & outdoors. Waterproof, non-slip, shockproof. All machined aluminum body. Uses 3 -AAA batteries. Dimensions: 1" OD x 3-12" L.



Lifetime Guarantee
PART #41429

LIST PRICE \$29.95

SEE PAGE 10 OF PRICE SHEET

PEWTER MOTORCYCLE KNIVES



PK210A

PK212A

PK214A

SEE PAGE 10 OF PRICE LIST

GREAT GIFT ITEM.

AVAILABLE IN 3 CLASSIC STYLES.

HIGH QUALITY STAINLESS STEEL FOLD UP BLADE. HEAVY CAST PEWTER HANDLE. A TRULY UNIQUE GIFT ITEM FOR THE COLLECTOR.

PACKED IN VELVET LINED GIFT BOX.

LED FLASHING ALARM LIGHT

#43189 These red flashing indicator lamps are great for use with alarms, on-off indicator, etc. They have built in flasher circuit. Flashes twice a second. Can also be installed by itself anywhere to a switched 12 volt power source to flash like a functional alarm. Help to deter theft or vandalism. Simple 2 wire installation.



1"X15' RATCHETING TIE DOWN STRAPS.

1500 LB CAPACITY NYLON WEBBING. FEATURES ALL STEEL RATCHETING MECHANISM WITH 5/16" ANCHOR HOOKS



SEE PAGE 9 OF PRICE LIST

LED CORDLESS RECHARGEABLE MECHANICS/SHOP WORK LIGHT

A total of 63 Hyper Bright White LEDs make this one of the brightest LED works light available. Lasts 4-1/2 hrs on single charge. Recharges in 6-7 hours. 14.4v 800 mAh Nickel Metal Hydride Battery, Low Battery Indicator, Overcharge Protected, Swivel Hanging Hook, Magnetic Holder Included. LEDs last 80,000 hrs. This will be the last shop light you will buy.

PART #43443

LIST PRICE \$129.00

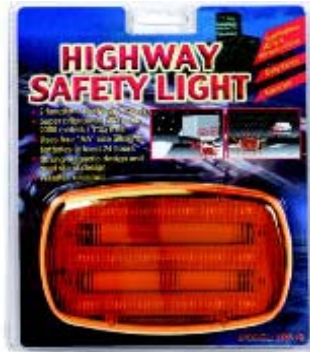


SEE PAGE 10 OF PRICE LIST



LED HIGHWAY EMERGENCY LIGHTS

The perfect roadside emergency light. Compact LED circuit board mounted in a high impact housing measures 4"x6". Powerful magnets mounted on back allow attachment directly to any metal surface such as metal body or fenders on cars, trucks, motorcycles, RV's etc. Super bright LEDs can be seen from a distance up to 1-1/4 miles. Two modes allow flashing or steady light. Built in Fold-out stand for roadside warning light. Can also be used as an emergency tailight in event of vehicle tailamp failure. Uses 4 "AA" Batteries. One set of batteries lasts 24 hours due to low LED power consumption. Amber Color Only.



TRUCK LITE REPLACEMENT MARKER LAMP MODULES

These extra bright halogen replacement modules have 2 pin connector and fit standard universal bases.

Packed 12 per carton. Amber or Red.
Size: 3-3/4x1-1/8



WIRELESS REMOTES with two (2) keychain Controllers

Now Available for ANY "COOL SPOTS"
LED Accessory Lamps or neon lighting kits.
Part #43362



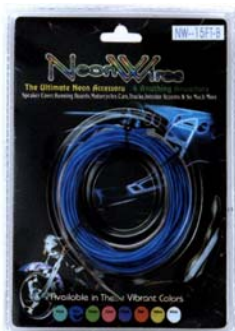
REFLECTOR SETS

High visibility reflectors are great for cars, motorcycles, trailers, RV's. Adhesive back allows these universal reflectors can be mounted on any flat smooth surface. Meet DOT specifications. Blister carded for retail. Four (4) pieces per card. Size: 3-1/2x1-1/2 Available in Amber Only



NEON GLOW WIRE

Give your ride that custom neon touch. This colorful, flexible 1/8" neon wire follows most contours to create any look you want. Can be used on interior or exterior. Great for accents and mood lighting. 100% weatherproof. Comes in 15 foot roll. Can be cut to any length. Transformer included. Easily installed. Connects to any 12 volt DC power source.





HEATED GRIPS FOR MOTORCYCLES/CRUISERS

No more numb, aching hands from the cold. They warm up fast. (in about 2 minutes) Easy to install and they work like a charm. A must for the big touring bikes or cruisers on cold rides. Fits any Bike with 1" Handle Bars.

Easy Installation:

Adjustable Heat Control Current Draw: 2.5 Amps @ Maximum Heat Setting

Soft Comfortable Rubber Grip

Blister Carded for Retail

PART #83070 LIST PRICE \$69.95



PAGE 9 OF PRICE LIST

WIXTECH THROTTLE GRIP "WRIST REST" MADE IN USA

Universal fit, comfortable WRIST REST fits most brands of Motorcycles, Snowmobiles, Personal Watercraft, ATVs, Scooters, etc.

No More Cramps in your hands from wrist fatigue.

Can be used on throttle only or both grips for maximum comfort on your ride.

Made from durable Space Age Polymers for long life.



PAGE 9 OF PRICE LIST

WIXTECH HELMET QUIK-RELEASE

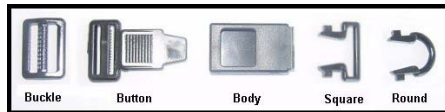
WIXTECH QUICK RELEASE is a uniquely designed quick release buckle for all products. It meets Federal Motor Vehicle testing Standard No. 218

"Motorcycle Helmets" using TP-218-03 National Highway Traffic Safety Administration Laboratory Test Procedure, Retention Para.S5.3.1 and S5.3.2

Used for everything from HELMETS to BACK PACKS. It attaches easily to straps up to one inch wide. Installed with no sewing. It attaches to your Helmet Strap in seconds. Simple application. Works with a patented center button lock which allows a quick secure lock and release with a press of the QUICK-Release button. Made of 100% Polycarbonate. It is resistant to cold and heat. Quick-Release offers a Lifetime Warranty.

PART #43337

PAGE 9 OF PRICE LIST



UNIVERSAL LED LOAD EQUALIZERS

WixTech LED Load Equalizers solve many of the problems associated with turn signal problems, ie; fast flash, no flash, etc, due to low current draw. Economical pricing. Comes in 2 styles, 2X6 ohm units for Automotive applications, and compact 8 ohm unit for Motorcycles.

Part# 43338

2x6 Ohm Automotive Load Equalizer



MOTORCYCLE & CAR DUSTERS

WixTech Bike Duster is especially designed for use on bikes and car dashes etc. Places where the bigger duster can't get to. Duster is convenient size and easily stored in saddlebags, faring or trunk. Also great for Car dashes and those smaller jobs



Car & Bike Dusters have special impregnated cotton fibres designed to pick up dirt and dust. The more you use them the better they work! Both styles come in handy attractive soft tote bag. Easy convenient storage.

UNBELIEVABLE LOW PRICES!

